

**Finish Line™**

Adjustable Floor Drain  
Ductile Iron No-Hub Connection

- Adjustable AFTER the pour
- Ductile iron base adapter, coring sleeve, head adapter and poly coring plug
- Nickel bronze and stainless steel strainers for use in pedestrian areas
- Ductile iron strainers for use in heavy-duty applications

SUPPLY

DRAINAGE

SUPPORT

APPENDIX



832-4DNQ



**Rough-in Drain**  
Base adapter, coring sleeve and coring plug



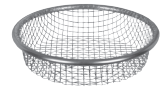
**Finish Fixture**  
Head adapter, ring and strainer



**Complete Assembly**  
Includes rough-in drain and boxed finish fixture



832-S4



832-UM



832-EX4



832-4HHD

**Options:** Add letter suffix. Add price to list.

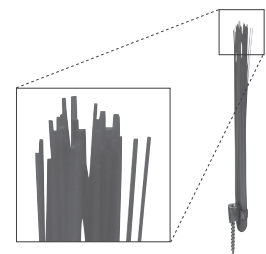
- V** Vandal-resistant screws \$5.00
- H** Hinged strainer (not available for ductile iron) \$12.00
- E** Extended ring <sup>1</sup> \$60.00
- B** Complies with Buy American Act <sup>1</sup> \$47.50
- M** Medium-duty strainer (3,000 lbs. safe-load)<sup>2</sup> \$30.00



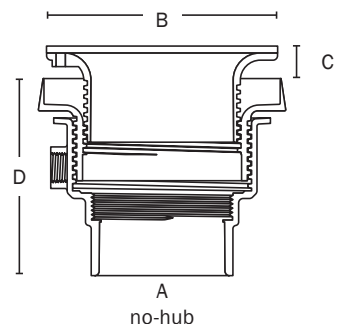
Option H  
Hinged Strainer

<sup>1</sup> Only available for round nickel bronze ring and strainer.  
<sup>2</sup> Available for round 304 SS ring & strainer.

Item No	Ring & Strainer	Dimensions				Pkg	Min Qty	Case Qty
		A	B	C	D			
<b>ROUGH-IN DRAIN</b>								
832-3DF	(Coring plug)	3"	—	—	5¼"-6½"	B*	1	10
832-4DF	(Coring plug)	4"	—	—	5½"-6¾"	B*	1	10
<b>FINISH FIXTURE</b>								
832-4DHIR	Round ductile	—	6½"	—	—	B*	1	10
832-4DHNR	Round ni-brnz	—	6½"	—	—	B*	1	10
832-4DHNQ	Square ni-brnz	—	7"	—	—	B*	1	10
832-4DHSR	Round 304 SS	—	6½"	—	—	B*	1	1
832-4DHSQ	Square 304 SS	—	7"	—	—	B*	1	1
<b>COMPLETE ASSEMBLY</b>								
832-3DiR	Round ductile	3"	6½"	0"-1¼"	5¼"-6½"	B*	1	1
832-3DNR	Round ni-brnz	3"	6½"	0"-1¼"	5¼"-6½"	B*	1	1
832-3DNQ	Square ni-brnz	3"	7"	5/16"-1¼"	5¼"-6½"	B*	1	1
832-3DSR	Round 304 SS	3"	6½"	0"-1¼"	5¼"-6½"	B*	1	1
832-3DSQ	Square 304 SS	3"	7"	5/16"-1¼"	5¼"-6½"	B*	1	1
832-4DiR	Round ductile	4"	6½"	0"-1¼"	5½"-6¾"	B*	1	1
832-4DNR	Round ni-brnz	4"	6½"	0"-1¼"	5½"-6¾"	B*	1	1
832-4DNQ	Square ni-brnz	4"	7"	5/16"-1¼"	5½"-6¾"	B*	1	1
832-4DSR	Round 304 SS	4"	6½"	0"-1¼"	5½"-6¾"	B*	1	1
832-4DSQ	Square 304 SS	4"	7"	5/16"-1¼"	5½"-6¾"	B*	1	1
<b>ACCESSORIES</b>								
832-4HHD	Hub drain finish fixture, ABS/PVC					B*	1	10
832-4HHHD	Hub drain finish fixture, iron					B*	1	1
863-FA	Round aluminum condensate funnel with screws					B*	1	5
863-FN	Round nickel bronze condensate funnel with screws					B*	1	5
863-FNO	Oval nickel bronze condensate funnel with screws					B*	1	5
832-S4	Two adjustment shims, two ¾" screws					B*	1	10
832-UM	4¼" stainless steel debris basket					B*	1	1
832-EX4	Ductile iron extension nipple - 2" min - 4" max					B*	1	1
832-W	Flexible red locating bristles with screw					B*	1	10



832-W  
Locating bristles



A  
no-hub



832-35DNR

**Finish Line™**

Adjustable Floor Drain  
Ductile Iron No-Hub Connection

- Adjustable AFTER the pour
- Ductile iron base adapter, coring sleeve, head adapter and poly coring plug
- Nickel bronze or stainless steel strainer for use in pedestrian traffic areas



**Rough-in Drain**  
Base adapter, coring sleeve and coring plug



**Finish Fixture**  
Head adapter, ring and strainer



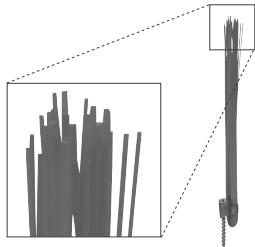
**Complete Assembly**  
Includes rough-in drain and boxed finish fixture



832-S3



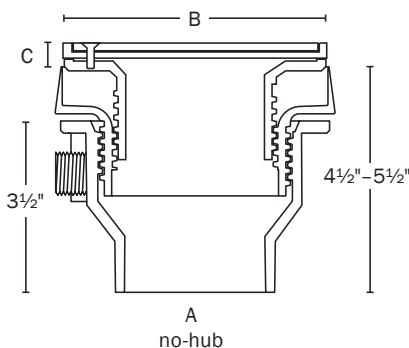
863-FA



832-W  
Locating bristles



832-3HHD



**Options:** Add letter suffix. Add prices to list.

- V** Vandal-resistant screws \$5.00
- B** Complies with Buy American Act <sup>1</sup> \$47.50
- E** Extended ring <sup>1</sup> \$60.00

<sup>1</sup> Only available for round nickel bronze ring and strainer.

Item No	Ring & Strainer	Dimensions			Pkg	Min Qty	Case Qty
		A	B	C			
<b>ROUGH-IN DRAIN</b>							
832-25DF	(Coring plug)	2"	—	—	B*	1	1
832-35DF	(Coring plug)	3"	—	—	B*	1	1
<b>FINISH FIXTURE</b>							
832-3DHR	Round ni-brnz	—	5 1/2"	—	B*	1	1
832-3DHNQ	Square ni-brnz	—	5 7/8"	—	B*	1	1
832-3DHSR	Round 304 SS	—	5 1/2"	—	B*	1	1
832-3DHSQ	Square 304 SS	—	5 7/8"	—	B*	1	1
<b>COMPLETE ASSEMBLY</b>							
832-25DNR	Round ni-brnz	2"	5 1/2"	0-1"	B*	1	1
832-25DNQ	Square ni-brnz	2"	5 7/8"	5/16"-1"	B*	1	1
832-25DSR	Round 304 SS	2"	5 1/2"	0-1"	B*	1	1
832-25DSQ	Square 304 SS	2"	5 7/8"	5/16"-1"	B*	1	1
832-35DNR	Round ni-brnz	3"	5 1/2"	0-1"	B*	1	1
832-35DNQ	Square ni-brnz	3"	5 7/8"	5/16"-1"	B*	1	1
832-35DSR	Round 304 SS	3"	5 1/2"	0-1"	B*	1	1
832-35DSQ	Square 304 SS	3"	5 7/8"	5/16"-1"	B*	1	1
<b>ACCESSORIES</b>							
<b>NEW</b> 832-3HHD	Hub drain finish fixture ABS/PVC				B*	1	10
863-FA	Round aluminum condensate funnel with screws				B*	1	5
863-FN	Round nickel bronze condensate funnel with screws				B*	1	5
863-FNO	Oval nickel bronze condensate funnel with screws				B*	1	5
832-S3	Two adjustment shims, two 3/4" screws				B*	1	10
832-W	Flexible red locating bristles with screw				B*	1	10

**Finish Line™**

Adjustable Floor Drain  
Ductile Iron No-Hub Connection

- Adjustable AFTER the pour
- For large capacity or high-flow applications such as outdoor terraces, walkways or patios
- Ductile iron base adapter, coring sleeve, head adapter and poly coring plug
- Nickel bronze or stainless steel strainers for use in pedestrian traffic areas



**Rough-in Drain**  
Base adapter, coring sleeve and coring plug



**Finish Fixture**  
Head adapter, ring and strainer



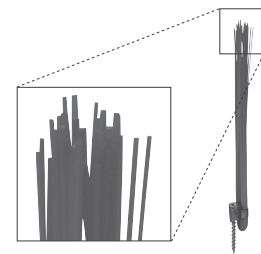
**Complete Assembly**  
Includes rough-in drain and boxed finish fixture



832-49DNR



863-FA

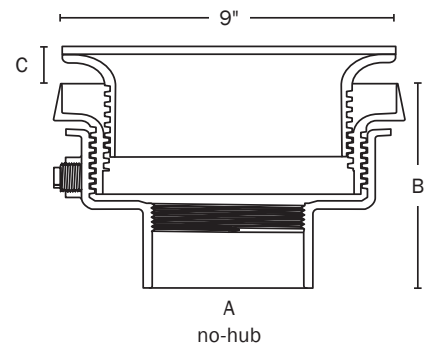


832-W  
Locating bristles

**Options:** Add letter suffix. Add price to list.

**V** Vandal-resistant screws \$5.00

Item No	Ring & Strainer	Dimensions			Pkg	Min Qty	Case Qty
		A	B	C			
<b>ROUGH-IN DRAIN</b>							
832-49DF	(Coring plug)	4"	5½"-7"	—	B*	1	1
832-6DF	(Coring plug)	6"	6¼"-7¾"	—	B*	1	1
<b>FINISH FIXTURE</b>							
832-6DHNR	Nickel bronze	—	—	—	B*	1	1
832-6DHSR	304 stainless steel	—	—	—	B*	1	1
<b>COMPLETE ASSEMBLY</b>							
832-49DNR	Nickel bronze	4"	5½"-7"	0"-1½"	B*	1	1
832-6DNR	Nickel bronze	6"	6¼"-7¾"	0"-1½"	B*	1	1
832-49DSR	304 stainless steel	4"	5½"-7"	0"-1½"	B*	1	1
832-6DSR	304 stainless steel	6"	6¼"-7¾"	0"-1½"	B*	1	1
<b>ACCESSORIES</b>							
863-FA	Round aluminum condensate funnel with screws				B*	1	5
863-FN	Round nickel bronze condensate funnel with screws				B*	1	5
863-FNO	Oval nickel bronze condensate funnel with screws				B*	1	5
832-W	Flexible red locating bristles with screw				B*	1	10



SUPPLY

DRAINAGE

SUPPORT

APPENDIX

SUPPLY



832-63DNR

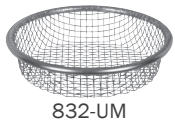
DRAINAGE

**Finish Line™**

Adjustable Floor Drain  
Ductile Iron Push-Joint Connection

- Adjustable AFTER the pour
- Ductile iron base adapter, coring sleeve, head adapter and poly coring plug
- Nickel bronze and stainless steel strainers for use in pedestrian areas
- Ductile iron strainers for use in heavy-duty applications

SUPPORT



832-UM



832-EX4

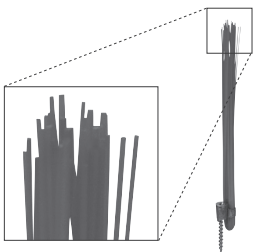


832-S4

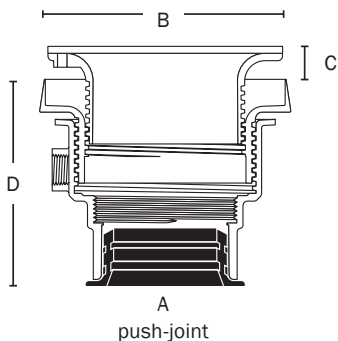
APPENDIX



832-4HHD



832-W  
Locating bristles



**Options:** Add letter suffix. Add price to list.

- V** Vandal-resistant screws \$5.00
- H** Hinged strainer (not available for ductile iron) \$12.00
- E** Extended ring <sup>1</sup> \$60.00
- B** Complies with Buy American Act <sup>1</sup> \$47.50
- P** Push-joint gasket to fit Sch. 40 ABS/PVC pipe \$3.00
- M** Medium-duty strainer (3,000 lbs. safe-load)<sup>2</sup> \$30.00



Option E  
Extended Ring

<sup>1</sup> Only available for round nickel bronze ring and strainer.  
<sup>2</sup> Available for round 304 SS ring & strainer.

Item No	Ring & Strainer	Dimensions				Pkg	Min Qty	Case Qty
		A	B	C	D			
<b>ROUGH-IN DRAIN</b>								
832-63DF	(Coring plug)	3"	—	—	5 <sup>5</sup> / <sub>8</sub> "-6 <sup>7</sup> / <sub>8</sub> "	B*	1	1
832-64DF	(Coring plug)	4"	—	—	5 <sup>7</sup> / <sub>8</sub> "-7 <sup>1</sup> / <sub>8</sub> "	B*	1	1
<b>FINISH FIXTURE</b>								
832-4DHIR	Round ductile	—	6 <sup>1</sup> / <sub>2</sub> "	—	—	B*	1	10
832-4DHNR	Round ni-brnz	—	6 <sup>1</sup> / <sub>2</sub> "	—	—	B*	1	10
832-4DHNQ	Square ni-brnz	—	7"	—	—	B*	1	10
832-4DHSR	Round 304 SS	—	6 <sup>1</sup> / <sub>2</sub> "	—	—	B*	1	1
832-4DHSQ	Square 304 SS	—	7"	—	—	B*	1	1
<b>COMPLETE ASSEMBLY</b>								
832-63DiR	Round ductile	3"	6 <sup>1</sup> / <sub>2</sub> "	0"-1 <sup>1</sup> / <sub>4</sub> "	5 <sup>5</sup> / <sub>8</sub> "-6 <sup>7</sup> / <sub>8</sub> "	B*	1	1
832-63DNR	Round ni-brnz	3"	6 <sup>1</sup> / <sub>2</sub> "	0"-1 <sup>1</sup> / <sub>4</sub> "	5 <sup>5</sup> / <sub>8</sub> "-6 <sup>7</sup> / <sub>8</sub> "	B*	1	1
832-63DNQ	Square ni-brnz	3"	7"	5 <sup>1</sup> / <sub>16</sub> "-1 <sup>1</sup> / <sub>4</sub> "	5 <sup>5</sup> / <sub>8</sub> "-6 <sup>7</sup> / <sub>8</sub> "	B*	1	1
832-63DSR	Round 304 SS	3"	6 <sup>1</sup> / <sub>2</sub> "	0"-1 <sup>1</sup> / <sub>4</sub> "	5 <sup>5</sup> / <sub>8</sub> "-6 <sup>7</sup> / <sub>8</sub> "	B*	1	1
832-63DSQ	Square 304 SS	3"	7"	5 <sup>1</sup> / <sub>16</sub> "-1 <sup>1</sup> / <sub>4</sub> "	5 <sup>5</sup> / <sub>8</sub> "-6 <sup>7</sup> / <sub>8</sub> "	B*	1	1
832-64DiR	Round ductile	4"	6 <sup>1</sup> / <sub>2</sub> "	0"-1 <sup>1</sup> / <sub>4</sub> "	5 <sup>7</sup> / <sub>8</sub> "-7 <sup>1</sup> / <sub>8</sub> "	B*	1	1
832-64DNR	Round ni-brnz	4"	6 <sup>1</sup> / <sub>2</sub> "	0"-1 <sup>1</sup> / <sub>4</sub> "	5 <sup>7</sup> / <sub>8</sub> "-7 <sup>1</sup> / <sub>8</sub> "	B*	1	1
832-64DNQ	Square ni-brnz	4"	7"	5 <sup>1</sup> / <sub>16</sub> "-1 <sup>1</sup> / <sub>4</sub> "	5 <sup>7</sup> / <sub>8</sub> "-7 <sup>1</sup> / <sub>8</sub> "	B*	1	1
832-64DSR	Round 304 SS	4"	6 <sup>1</sup> / <sub>2</sub> "	0"-1 <sup>1</sup> / <sub>4</sub> "	5 <sup>7</sup> / <sub>8</sub> "-7 <sup>1</sup> / <sub>8</sub> "	B*	1	1
832-64DSQ	Square 304 SS	4"	7"	5 <sup>1</sup> / <sub>16</sub> "-1 <sup>1</sup> / <sub>4</sub> "	5 <sup>7</sup> / <sub>8</sub> "-7 <sup>1</sup> / <sub>8</sub> "	B*	1	1
<b>ACCESSORIES</b>								
832-4HHD	Hub drain finish fixture, ABS/PVC					B*	1	10
832-4DHHD	Hub drain finish fixture, iron					B*	1	1
858-PG4	Push-joint gasket for 4" Sch. 40 pipe					B*	1	1
863-FA	Round aluminum condensate funnel with screws					B*	1	5
863-FN	Round nickel bronze condensate funnel with screws					B*	1	5
863-FNO	Oval nickel bronze condensate funnel with screws					B*	1	5
832-S4	Two adjustment shims, two 3/4" screws					B*	1	10
832-UM	4 <sup>1</sup> / <sub>4</sub> " stainless steel debris basket					B*	1	1
832-EX4	Ductile iron extension nipple - 2" min - 4" max					B*	1	1
832-W	Flexible red locating bristles with screw					B*	1	10

**NEW**  
**NEW**  
**NEW**

SUPPLY

DRAINAGE

SUPPORT

APPENDIX

Item No	Page No.	Min Qty	Case Qty	UPC Bar-Coded	UPC 6-Digit 739236	Weight (lbs.)
845-2PPK	378	10	10	✓	301307	0.0665
845-3APK	378	10	10	✓	301369	0.1410
845-3P	378	<b>20</b>	20	✓	301857	0.1264
845-3PPK	378	10	10	✓	301345	0.1280
845-4APK	378	10	10	✓	301406	0.3521
845-4P	378	<b>20</b>	20	✓	339249	0.3137
845-4PPK	378	10	10	✓	301383	0.3426
846-S11PK	402	3	3	✓	306425	1.7680
846-S13PK	402	3	3	✓	306449	1.9183
846-S15PK	402	3	3	✓	306463	1.6567
846-S17PK	402	3	3	✓	306562	2.2500
846-S19PK	402	3	3	✓	306661	2.9670
846-S1PK	402	3	3	✓	306302	0.7650
846-S3PK	402	3	3	✓	306326	0.9357
846-S5PK	402	3	3	✓	306364	1.2710
846-S7PK	402	3	3	✓	306388	1.5170
846-S9PK	402	3	3	✓	306401	1.6000
847-2	380	<b>20</b>	20	✓	339256	0.1550
847-2PK1	380	5	5	✓	301222	0.4220
847-3	380	<b>20</b>	20	✓	306692	0.1996
847-3PK1	380	10	10	✓	301239	0.4539
847-4	380	<b>10</b>	10	✓	301819	0.3250
847-4PK1	380	10	10	✓	301246	0.5931
847-7	380	10	10	✓	301277	0.9919
847-7B	380	<b>20</b>	20	✓	306111	0.9393
847-9	380	1	10	✓	301291	2.1433
850-234N	350	1	10	✓	351968	4.1516
850-2I	350	1	6	✓	301475	7.0343
850-2IN	350	1	6	✓	353405	8.8834
850-2N	350	1	6	✓	301871	4.4304
850-2T	350	1	6	✓	301888	1.6904
850-3I	350	1	4	✓	301895	9.8063
850-3IN	350	1	4	✓	353429	11.7897
850-3N	350	1	6	✓	301901	7.3549
850-3T	350	1	6	✓	301918	2.6969
850-4I	350	1	2	✓	305855	12.7947
850-4IN	350	1	2	✓	353443	16.6326
850-4N	350	1	6	✓	306074	9.8086
850-4T	350	1	6	✓	305862	3.4826
850-CI2	362	1	1	✓	353467	2.2082
850-CI3	362	1	1	✓	353474	3.5283
850-CI4	362	1	1	✓	353481	5.1484
850-CN2	362	1	1	✓	353498	1.7564
850-CN3	362	1	10	✓	351975	2.0144
850-CN4	362	1	1	✓	353504	3.6878
850-CT2	362	1	10	✓	353511	0.6485
850-CT3	362	1	10	✓	301956	0.7085
850-CT4	362	1	10	✓	353528	1.2993
850-V105	362	1	25	✓	314673	0.0487
850-V106	362	1	25	✓	314659	0.0585
850-V109	362	1	25	✓	314642	0.1837
850-V407	362	1	1	✓	314635	0.0103
850-V415	362	1	1	✓	314628	0.0153
850-V425	362	1	1	✓	314611	0.0278
850-VW1	362	10	10		351920	0.0351
850-VW4	362	10	10		353535	0.0451
851-24I	349	1	2	✓	305879	11.8315
851-24IN	349	1	2	✓	353603	13.7413
851-24N	349	1	2	✓	351944	8.5491
851-24T	349	1	2	✓	353627	6.1907
851-33N	348	1	2	✓	353702	3.0961
851-33T	348	1	2	✓	353719	1.4622
851-34I	348	1	2	✓	305886	8.3135
851-34IN	348	1	2	✓	353726	10.1687
851-34N	348	1	2	✓	305893	5.0168
851-34T	348	1	2	✓	306722	2.6568
851-36I	348	1	2	✓	353740	14.4978
851-36IN	348	1	2	✓	353757	18.3759
851-36N	348	1	2	✓	353771	8.2747
851-36T	348	1	2	✓	353788	4.6474
851-43N	348	1	2	✓	305909	3.1681
851-43T	348	1	2	✓	302014	1.5542
851-44I	348	1	2	✓	305916	8.2555
851-44IN	348	1	2	✓	351685	10.1574

Item No	Page No.	Min Qty	Case Qty	UPC Bar-Coded	UPC 6-Digit 739236	Weight (lbs.)
851-44N	348	1	2	✓	302038	4.7098
851-44T	348	1	2	✓	356512	2.5988
851-46I	348	1	2	✓	302052	15.7781
851-46IN	348	1	2	✓	351692	19.7099
851-46N	348	1	2	✓	302069	9.6087
851-46T	348	1	2	✓	306746	4.5875
851-64I	349	1	2	✓	351708	11.3494
851-64N	349	1	2	✓	351746	8.0901
851-64T	349	1	2	✓	353900	5.7301
851-66I	349	1	2	✓	351814	24.1451
851-66N	349	1	2	✓	353931	15.9720
851-66T	349	1	2	✓	353948	13.8785
851-CI3	361	1	1	✓	353955	1.5223
851-CI4	361	1	1	✓	353962	2.1766
851-CI6	361	1	1	✓	353979	3.5811
851-CI8	361	1	1	✓	353986	5.1911
851-CN3	361	1	10	✓	351838	1.1670
851-CN4	361	1	10	✓	351654	1.7513
851-CN6	361	1	10	✓	353993	3.0811
851-CN8	361	1	10	✓	354006	3.9011
851-CT3	361	1	10	✓	302113	0.4270
851-CT4	361	1	10	✓	354013	0.6522
851-CT6	361	1	10	✓	351760	1.1811
851-CT8	361	1	10	✓	354020	1.3111
852-2LNR	345	1	10	✓	302168	1.2355
852-3AI	344	1	2	✓	354280	2.7876
852-3ANQ	344	1	2	✓	354297	4.2461
852-3ANR	344	1	5	✓	350343	2.7633
852-3ASQ	344	1	2	✓	308153	4.2140
852-3ASR	344	1	5	✓	308160	3.2900
852-3ATR	344	1	5	✓	354327	1.7626
852-3LI	345	1	2	✓	351784	4.2123
852-3LNQ	345	1	5	✓	351791	2.9909
852-3LNR	345	1	10	✓	302182	1.9280
852-3LP	345	1	10	✓	354372	1.0551
852-3LSQ	345	1	5	✓	308177	2.6699
852-3LSR	345	1	10	✓	308184	1.9208
852-3LTR	345	1	10	✓	302199	1.2701
852-3PI	344	1	2	✓	350695	2.9593
852-3PNQ	344	1	2	✓	350725	4.4178
852-3PNR	344	1	5	✓	350329	2.9350
852-3PSQ	344	1	2	✓	308191	4.3857
852-3PSR	344	1	5	✓	308221	3.3800
852-3PTR	344	1	5	✓	306050	2.1181
852-4AI	344	1	2	✓	350749	2.9872
852-4ANQ	344	1	2	✓	354426	4.4062
852-4ANR	344	1	10	✓	350442	2.8865
852-4ASQ	344	1	2	✓	308238	4.3741
852-4ASR	344	1	10	✓	308245	3.4509
852-4ATR	344	1	10	✓	354457	2.7783
852-4ILI	345	1	2	✓	350756	9.8211
852-4ILNQ	345	1	2	✓	354464	7.4590
852-4ILNR	345	1	2	✓	305947	6.3758
852-4LI	345	1	2	✓	305961	5.2625
852-4LNQ	345	1	1	✓	302274	3.7997
852-4LNR	345	1	10	✓	302281	2.4886
852-4LNRPK	345	5	5	✓	350411	2.5329
852-4LP	345	1	10	✓	350763	1.3668
852-4LSQ	345	1	1	✓	308252	0.7232
852-4LSR	345	1	10	✓	308269	2.9535
852-4LTR	345	1	10	✓	305978	1.5986
852-4PI	344	1	2	✓	305992	3.4000
852-4PNQ	344	1	2	✓	306036	4.6062
852-4PNR	344	1	10	✓	350428	3.4765
852-4PSQ	344	1	2	✓	308276	4.6500
852-4PSR	344	1	10	✓	308283	3.5250
852-4PTR	344	1	10	✓	302359	2.2477
852-CI3	361	1	1	✓	354549	2.3000
852-CI4	361	1	5	✓	354556	3.6500
852-CN2	361	1	10	✓	354563	1.2790
852-CN3	361	1	10	✓	354570	1.4809
852-CN4	361	1	10	✓	350794	1.8551
852-CP3	361	1	2	✓	354594	0.5809
852-CP4	361	1	2	✓	354600	0.8051